

GD-2500H 【Ricoh Gen5/Gen6】



2.5m Hybrid UV Machine



| | | | | | | | |
|---|---|---|---|----|----|----|---|
| C | M | Y | K | | | | |
| C | M | Y | K | LC | LM | | |
| W | C | M | Y | K | V | | |
| W | C | M | Y | K | LC | LM | V |
| W | C | M | Y | K | W | | |
| W | C | M | Y | K | LC | LM | W |

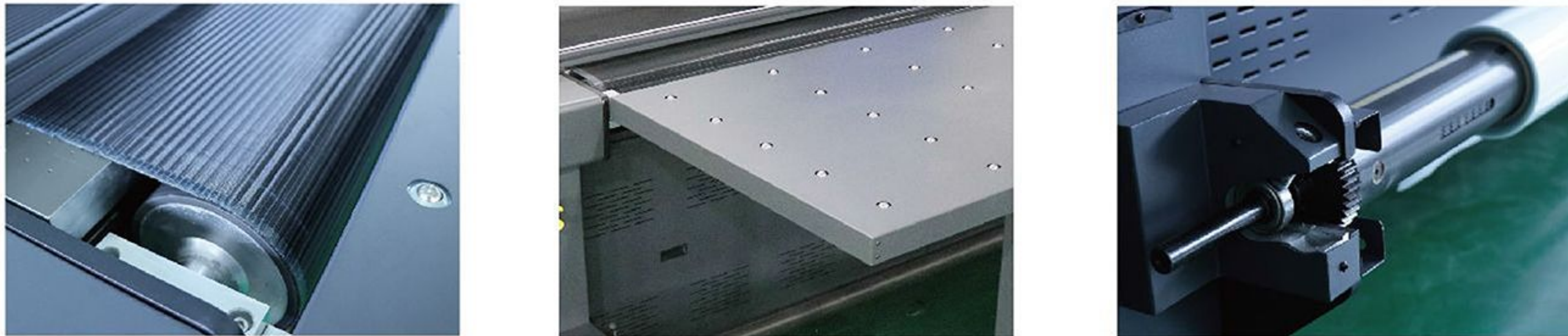
CMYK / CMYKLCm + W + Varnish

- 2400 dpi**
Max Resolution
- Variable Drop**
- Simple Operation**
- Continuous printing**

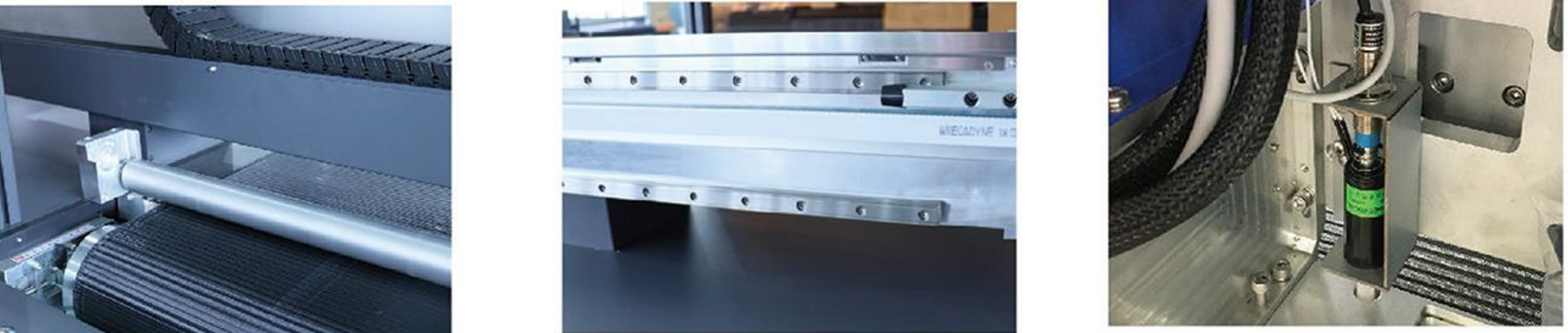


>> **Technical Characteristics**

- Cold light LED curing with tiny temperature variation ensures high printing quality.
- Adjustable head height, laser positioning system and movable printing platform result in high-efficiency printing jobs.
- High stability magnetic encoderstrip.
- Air-shaft take up system makes more stable paper collecting
- Stable printing technology and ink supply system reduces maintenance cost.
- International ICC standard with profile curve adjustment function.



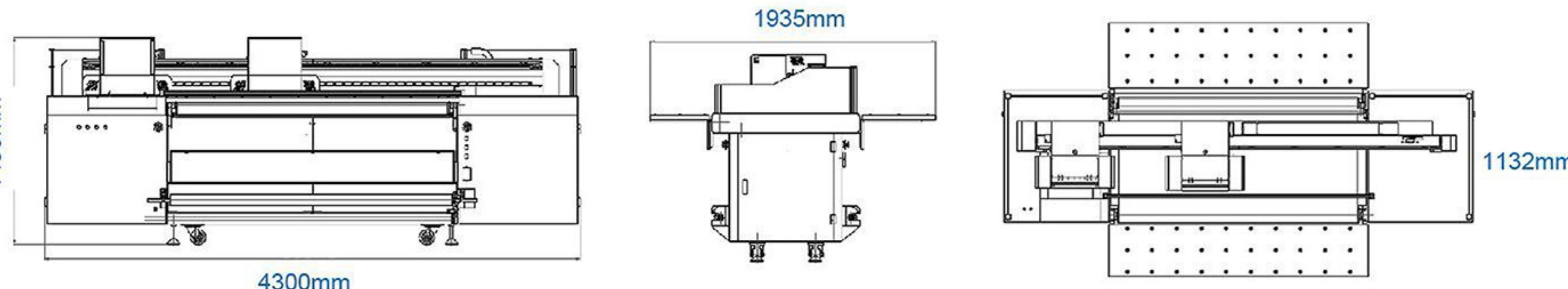
Integrated belt & flatbed media feeding system is competent to print both roll and rigid media. Folding extension frame saves space and cost as well. Independent widened platform to accommodate more materials. Air-shaft take up system makes more stable paper collecting .



Dual mute THK guide rails ensure stability of printing and high quality printing output. The sheet media is automatically positioned, and the assistance of the front pressure bar makes the material more smooth, ensuring the accuracy of printing. Automatic height measurement system , adjust the distance between the baseplate and the media automatically to guarantee the best quality.



Front LED lamp enhances the accuracy of color and makes the printing output more real. Multifunctional vacuum platform is divided into six areas to control accordingly with adjustable vacuum power. The material is always in good status during the printing process to avoid wrinkling. Bulky ink with ink alarm system represents the advanced concept of industrial application to ensure long-term stable printing.



| 5pcs Ricoh Gen5 Heads(2+1+2) | CMYK | CMYK+W | CMYK+W+CMYK |
|------------------------------|----------|----------|-------------|
| 4PASS - PRODUCTION MODE: | 45 sqm/h | 36 sqm/h | 25 sqm/h |
| 6PASS - QUALITY MODE: | 36 sqm/h | 24 sqm/h | 17 sqm/h |
| 8PASS - HIGH QUALITY MODE: | 21 sqm/h | 18 sqm/h | 13 sqm/h |

>> **Technical Specifications**

| | |
|---------------------|---|
| MODEL | GD-2500H |
| PRINthead TYPE | Ricoh Gen5 / Gen6 |
| HEAD NUMBER | 3-12 pcs optional |
| PRINTING SIZE (W*D) | 2500(X)*1900mm(Y) |
| PRINTING TECHNOLOGY | Gray scale piezoelectric inkjet technology |
| MAXIMUM RESOLUTION | 2400dpi |
| INK TYPE | LED UV INK Continual Ink Supply Systems (2.5L Ink Tank) C/M/Y/K/Lc/Lm/W/Varnish |
| MEDIA THICKNESS | ≤ 50mm |
| COLOR CONTROL | ICC standard,ajudtment of ICC and density |
| RIP | PhotoPrint |
| ENVIRONMENT | Temperature: 18℃-26℃, Humidity: 30%-75% (RH) |
| POWER CONSUMPTION | Printing mode:5000W Sleep mode:600W |
| PRINTER DIMENSION | Main equipment packing size : 4,500(L) x1,100(W) x 1,540H)(Unit : mm) Extension board packaging size : 2,690(L) x500(W) x 100H)(Unit : mm) |
| PACKING WEIGHT | 2T |